



HAKO

Clean ahead

Assembly manual

Flashlight on overhead guard (7181.85)

Introduction

Foreword

This assembly manual may be used only in conjunction with the operating manual of the machine.

Safety instructions

Please observe the general safety regulations of the corresponding machine in the relevant operating manual. Place the machine on a level surface and secure it with the parking brake. Switch the machine off and pull out the key.

We would expressly advise you that no legal claims may be asserted based on the contents of this manual. In the case of necessary repair work, please make sure that only original spare parts are used. Only original spare parts guarantee constant and reliable operational readiness of your machine. We reserve the right to make changes in the interests of further technical development.

Valid as from: November 2018

Hako GmbH
23843 Bad Oldesloe, Germany
Hamburger Str. 209-239
Phone +49 4531 806-0

- 1 Flashlight on overhead guard**
- 1.1 Parts list**
- 1 1x flashlight, pre-assembled (with cable loom W 66)
 - 2 3x hexagon bolt M6x16
 - 3 3x detent edge washers SKM6
 - 4 1x corrugated hose holder

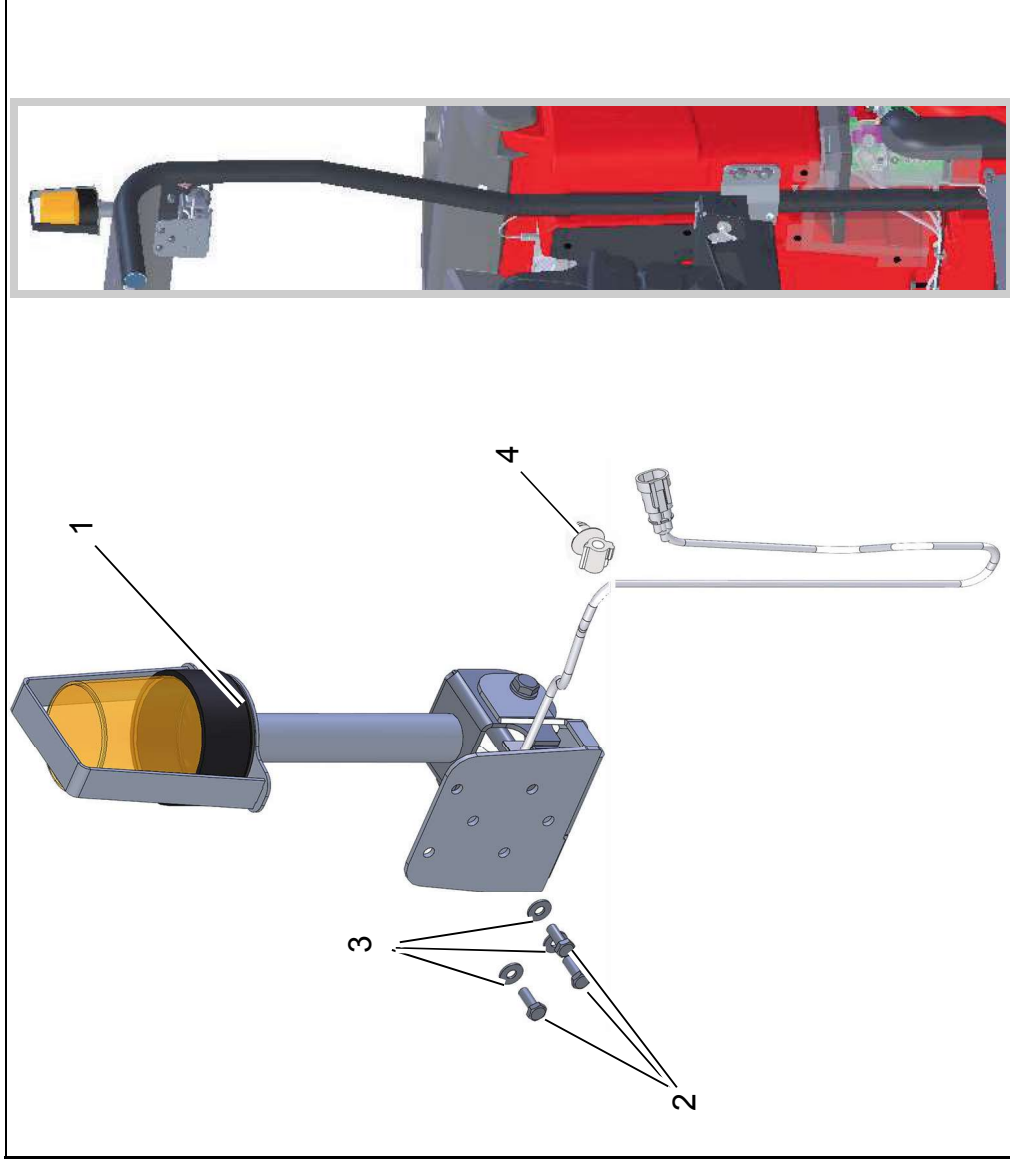


Fig. 1

Flashlight on overhead guard

1.2 Flashlight installation

1. Remove side panelling with provided wrench (Fig. 2/1).
2. The flashlight is fitted to the left rear overhead guard from the inside using the three M6x16 screws and the washers (Fig. 2/2). When tightening the screws it must be ensured that the flashlight is aligned in a vertical position.
3. Remove cable sleeve (Fig. 2/3) from tube. Lead plug of cable loom W 66 through the cable sleeve. Lead plug through opening of tube to lower opening in tube. Re-insert cable sleeve.
4. Insert holder for corrugated hose into existing hole.
5. Clamp corrugated hose in holder so that the hose is not under tension when the flashlight is swivelled down.
6. Lead cable loom W 66 (shown in blue) from the lower opening of the tube into the turbine compartment.
7. Connect X65 to plug of W 3 with the same name (Fig. 2/6). Secure plug to plate with cable ties.

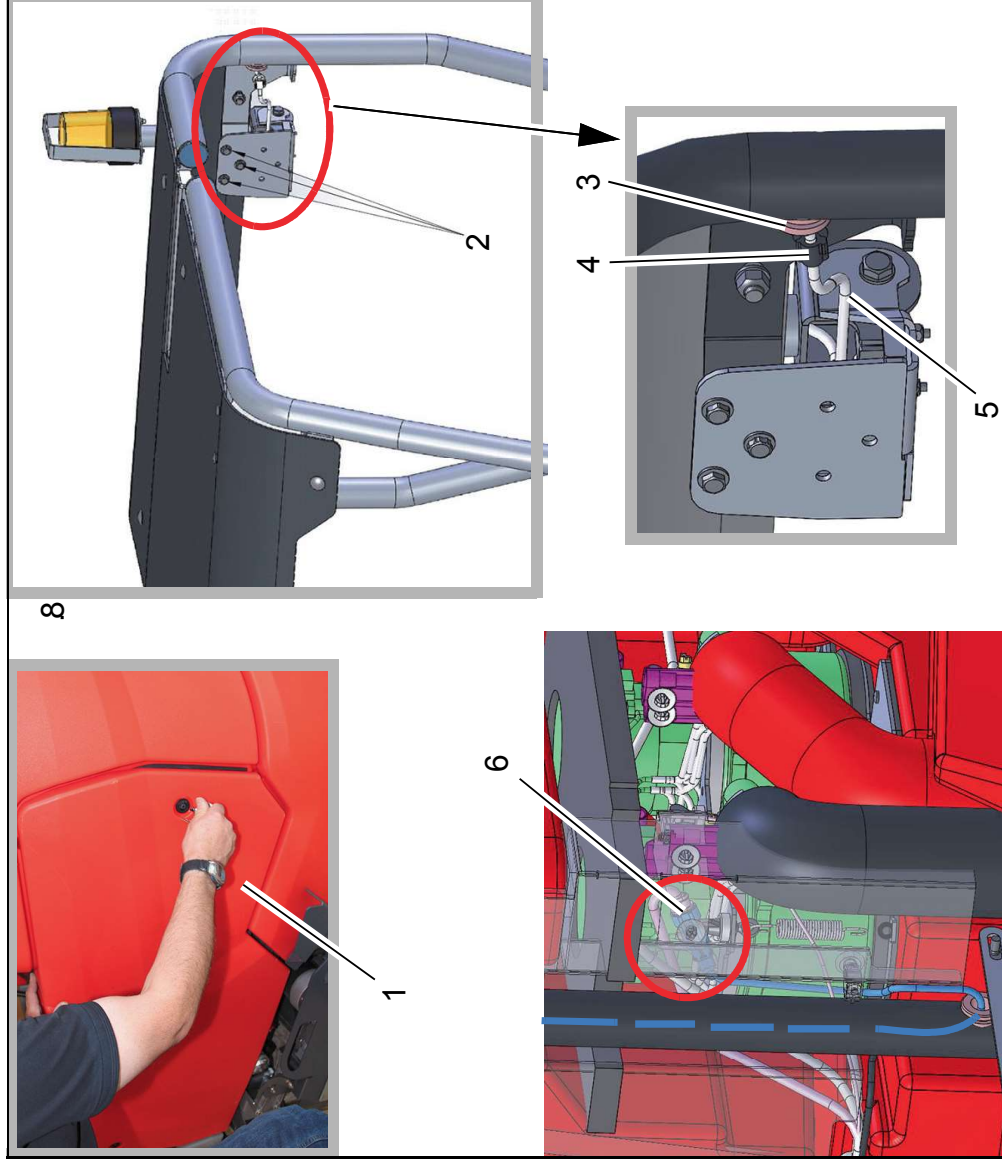


Fig. 2

Flashlight on overhead guard

1.3 Setting in the configuration menu

The Flashlight on overhead guard option must be activated via the configuration menu.

Option	Value
Flashlight on overhead guard	1.A.1.

Requirements:

- Batteries inserted
- 4-digit code or diagnosis plug 97097737 present

If diagnosis plug is used:
Plug diagnosis plug into slot X20 of controller A1 (Fig. 3/1).

Setting:

1. Turn on the machine.
2. Select the arrow soft key (Fig. 3/3) on the control panel using the turn-push knob (Fig. 3/2) and press to access the sub-menu.
3. Select the configuration menu in the sub-menu (Fig. 3/4).

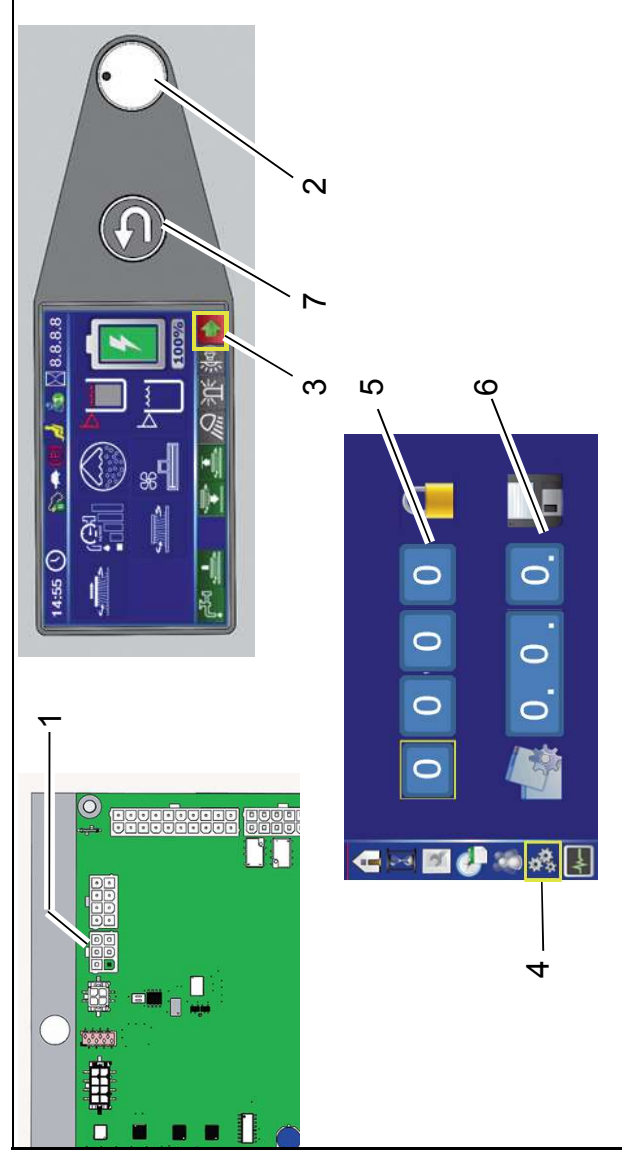


Fig. 3

4. Enter the 4-digit code in the configuration menu at the top (Fig. 3/5):
 - Rotate the turn-push knob until the required field is reached.
 - Press the turn-push knob, then rotate to set the value.
 - Press again to save the value.
 Alternatively, use the diagnosis plug!
5. In the configuration menu at the bottom (Fig. 3/6), set the value of the option and save by pressing the turn-push knob. After confirming the last digit, OK? appears. Press the turn-push knob again to save the value. Saved value is displayed in green. If the value is not to be saved, exit menu using the return key (Fig. 3/7).



Clean ahead

Advanced Technology for a Cleaner, Better Environment



Hako GmbH · Head Office · Hamburger Str. 209-239 · 23843 Bad Oldesloe, Germany
Phone +49 4531 806-0 · Fax +49 4531 806-338